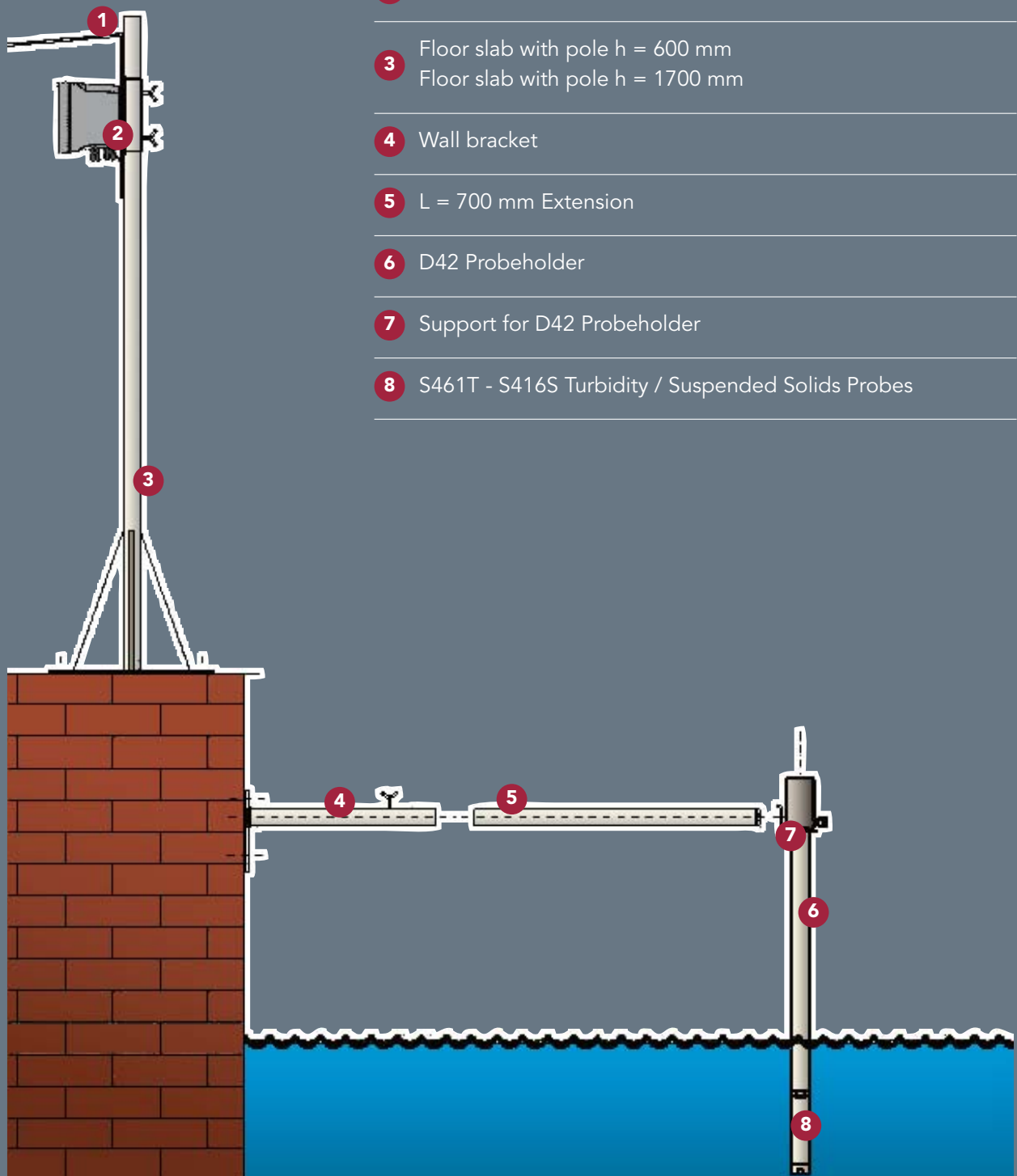


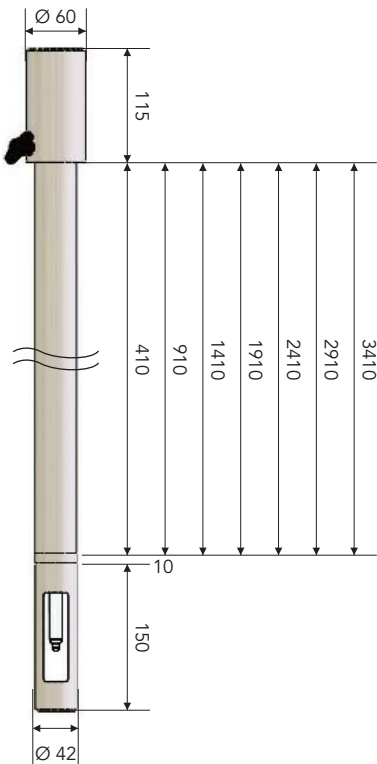


# Accessories



- 1 Protection canopy
- 2 Measuring device
- 3 Floor slab with pole h = 600 mm  
Floor slab with pole h = 1700 mm
- 4 Wall bracket
- 5 L = 700 mm Extension
- 6 D42 Probholder
- 7 Support for D42 Probholder
- 8 S461T - S416S Turbidity / Suspended Solids Probes

# IMMERSION PROBEHOLDERS



**S315/2** Immersion probeholder for single D42 Electrode

**S315/2** Immersion probeholder for two D63 Electrodes

**S315/3** Immersion probeholder for three D63 Electrodes

**Materials**

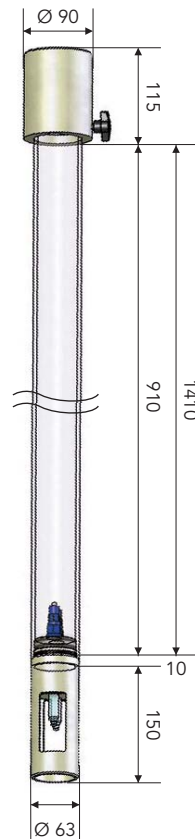
- Polypropilene (PP) body
- Nylon fixing screw
- NBR O-Rings

**Working Temperature**

- max 80°C

**Available lengths**

- See drawing



**S315/T** Immersion probeholder with KCl tank

**S315/T/2** Immersion probeholder for two D12 electrodes and KCl tank

**Materials**

- Plexiglass tube
- Polypropilene (PP) protection and cap
- Nylon fixing screw
- NBR O-Rings

**Working Temperature**

- max 80°C

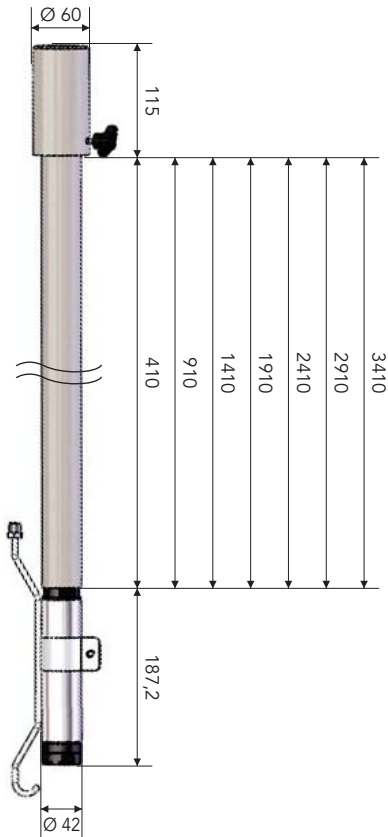
**Available lengths**

- See drawing

The Plexiglass tube/tank allows to constantly verify the KCl quantity



# IMMERSION PROBEHOLDERS



## S315/F Immersion probeholder for turbidity/suspended solids probes

### Materials

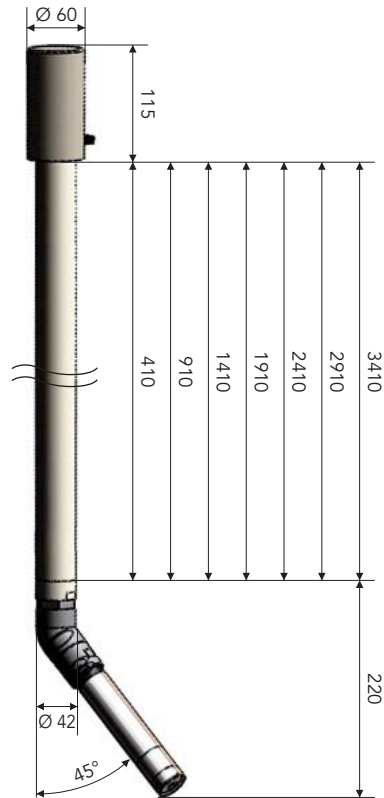
- Polipropilene (PP) Tube and cap
- Nylon fixing screw
- NBR o-Rings

### Working Temperature

- max 80°C

### Available lengths

- See drawing



## S315/O Immersion probeholder for S423/C/OPT Oxygen probe and S401/6 DF/DG pH and redox digital/differential electrodes

### Materials

- Polipropilene (PP) Tube and cap
- Nylon fixing screw
- PVc 45° Fitting
- NBR o-Rings

### Working Temperature

- max 80°C

### Available lengths

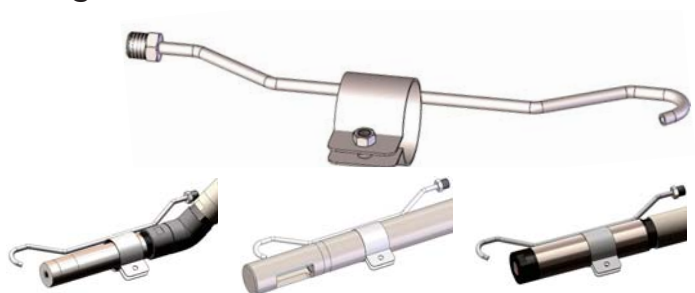
- See drawing

## AISI 316 nozzle for immersion probes' cleaning

### Materials

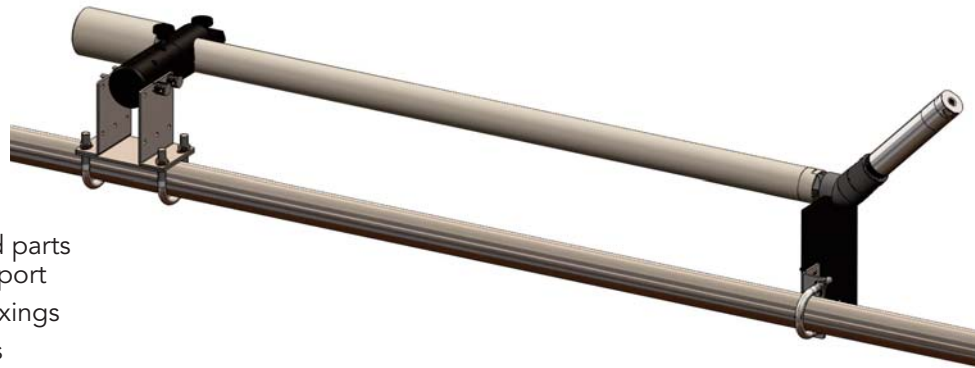
- AISI 316 tube
- AISI 316 nozzle
- AISI 316 fittings and nuts

The washing conduit is connected to the nozzle via the 1/4" BSP male threaded fitting. The system can be adapted to all Chemitec immersion probes and probeholders.



# INSERTION PROBEHOLDERS

## Articulated support for probeholders



### Materiali

- Black PVC Articulated parts and probeholder support
- AISI 316 plates and fixings
- AISI 316 fixing screws

Suitable for chemitec Diameter 42 probeholder supporting, the articulated support is able to rotate and tilt around the X and Y axis, allowing a remarkable possibility of configurations.



## Pressurized Probeholders

The pressurized Probe holders are used to insert the electrode directly into process pipe lines.

The Probe holder must be placed between two isolation valves to prevent lack of process liquid during maintenance operations.



## Insertion probeholders

	<b>PSS 3</b>	<b>SPP</b>	<b>SPPFIL</b>
Connection	½" G.M.	1" G.F.	¾" or 1" 1/4 G.M.
Probe connection	PG 13.5 or Ø 12mm	PG 13.5	PG 13.5
Maximum Temperature	60° C	60°C	80°C
Maximum Pressure	7 bar	16 bar	16 bar
Materials	PVC	PP and PVC	PP

# BYPASS PROBEHOLDERS

## PSS 8 By-pass probeholder

The electrode/sensor installed in remains always immersed in the liquid to guarantee stable and accurate measures.

### Applications

- Wastewater
- Drinking water
- Cooling towers
- Reverse osmosis
- Irrigation

### Technical data

Input/Output	8x12 mm (tube)
Probe connections	PG 13,5mm, 42mm, 35mm, 24mm
Head Material	Black PP
Wessel Material	Transparent PMMA / Black PP
Pressure range	1 bar at 50 °C 2 bar at 40 °C 5 bar at 20 °C
Control sensor	Reed flux at 0,5 bar of min. pressure
pH range	4,0 ÷ 10 pH transparent body 2,7 ÷ 12 pH black body



### PSS 8-A

- Bypass probeholder for three (3) probes diameter 12 mm
- Pressure up to 5 bar
- Temperature up to 50°C
- Transparent wessel
- pH range 4,0÷10 pH

### Probe types

- pH and redox 12 mm
- pH and redox 13.5 mm
- Temperature 12 or 13,5 mm
- Conductivity 12 or 13.5 mm
- Oxygen 13,5 mm



### PSS 8-A1

- Bypass probeholder for three (3) probes diameter 12 mm
- Pressure up to 5 bar
- Temperature up to 50°C
- Black wessel
- pH range 2,7÷12 pH

### Probe types

- pH e Redox 12 mm
- pH e Redox 13.5 mm
- Temperature 12 or 13,5 mm
- Conductivity 12 or 13.5 mm
- Oxygen 13,5 mm



### PSS 8-B1

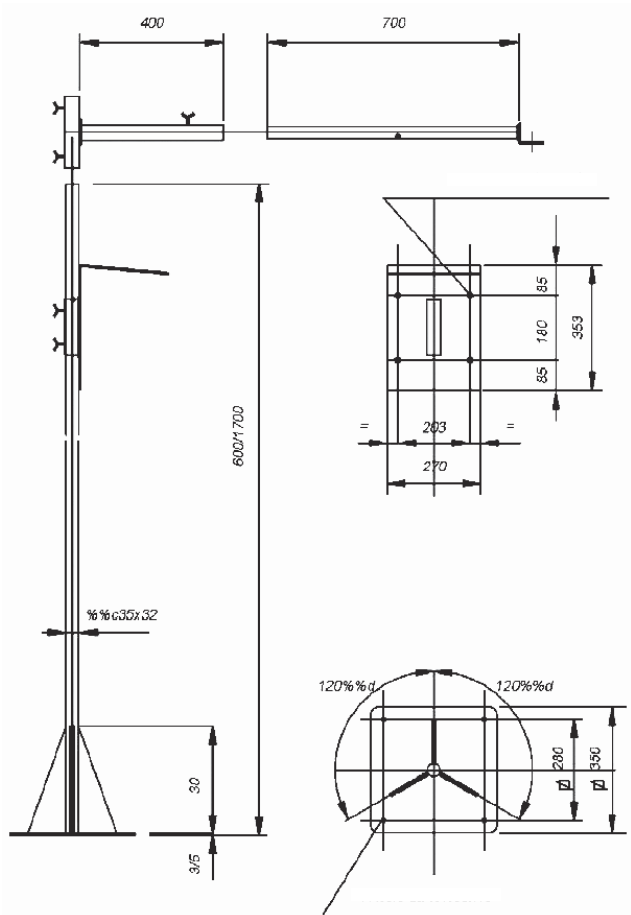
- Bypass probeholder for one (1) probe diameter 35 or 42 mm
- Pressure up to 5 bar
- Temperature up to 50°C
- Black wessel
- pH range 2,7÷12 pH

### Probe types

- Turbidity 42mm
- Oxygen 35mm

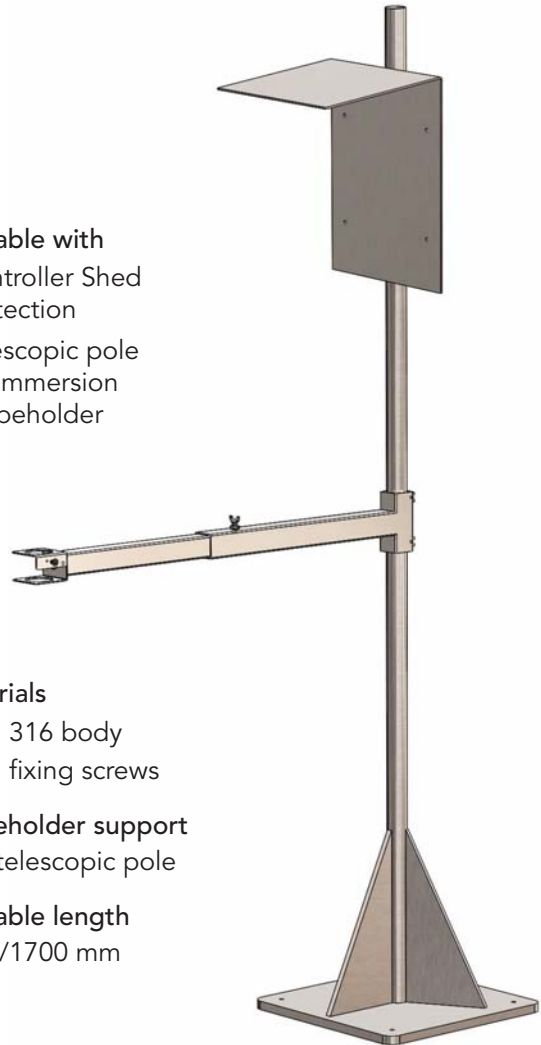
# ACCESSORIES FOR INSTALLATIONS

## AISI 316 standing Pole for poolside fixing



- Available with
- Controller Shed Protection
- Telescopic pole for immersion probeholder

- Materials
- AISI 316 body
- AISI fixing screws
- Probeholder support via telescopic pole
- Available length
- 600/1700 mm



## AISI 316 standing pole for wall mounting/poolside. D42 or 63 mm immersion probeholder

- Materials
- AISI 316 Mounting plate
- AISI 316 Pole and Probeholders support
- AISI 316 Fixing screws

