



Bargraph Panel Meter PB-1471

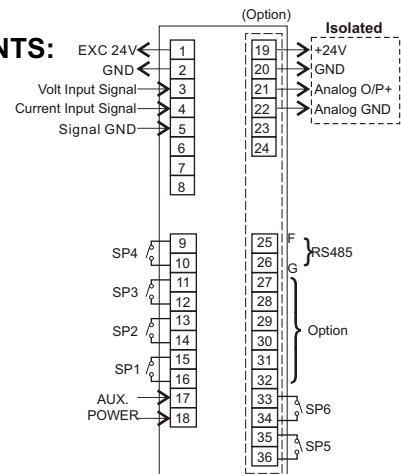


FEATURES:

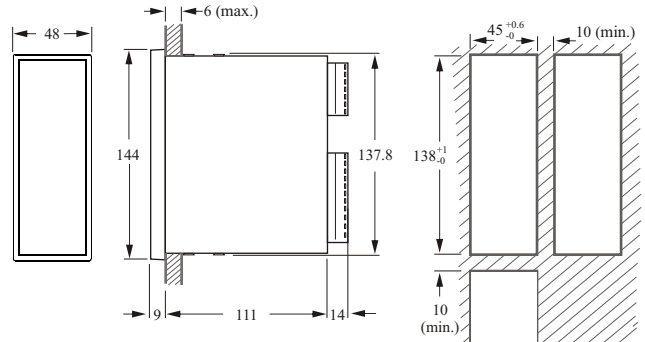
- 4 Digit LED Numeric Display
- 101-segment LED Bargraph display
- Wide Range of User Definable Scaling
- Modular input signal boards available for different applications
- Optional output boards with isolated analogue & relay outputs
- Switch mode power supply 85V~265VAC or 18~36VDC
- Volume conversion for non-linear tanks (optional)

TERMINAL

ARRANGEMENTS:



EXTERIOR / CUTOUT DIMENSIONS



ORDERING INFORMATION:

Code	Product
PB-1471	Microprocessor Bargraph Display Panel Meter
Code Power Supply	
S	85~265V AC (standard)
T	18~36V DC
Code Input Signal (CH1)	
01	4~20mA DC with Exc 24V
02	0~20mA DC with Exc 24V
03	0~200mA DC with Exc 24V
04	5V DC with Exc 24V
05	10V DC with Exc 24V
06	20V DC with Exc 24V
07	200V DC with Exc 24V
A1	2mA AC RMS
A2	20mA AC RMS
A3	200mA AC RMS
A4	1A AC RMS
A5	5A AC RMS
C1	2mA DC with Exc 24V
C2	20mA DC with Exc 24V
C3	200mA DC with Exc 24V
C4	1 Amp DC
C5	5 Amp DC
B1	100mV AC RMS
B2	200mV AC RMS
B3	2V AC RMS
B4	20V AC RMS
B5	200V AC RMS
B6	600V AC RMS
Code Relay Contact	
4	4 Relays (standard)
6	6 Relays
Code Non-Linear Function	
0	Without (Standard)
1	Support 20 points Vessel conversion
Code Analogue Output	
0	Without
1	0~10V Analogue Output
2	0/4~20mA or 0~10V Output (jumper selectable)
Code Communication Port	
0	Without
1	Support RS485 interface

SPECIFICATIONS	
Dimension (mm)	48 (W) x144 (H) x121.5 (D) DIN 3/16
Model	PB-1471
Power Supply	85 ~ 265V AC or 18~36V DC Switching Power Supply
Power Supply for sensor	DC24V, 50mA
Display	4 Digits, 0.36" 7-Segment red LED Display 101 LED Bargraph Display 6 LED set-point indicator Display Range: -1999 ~ +9999 Over Range Display: "1" or "-1"
Input Signal	Range: Refer to Ordering information Accuracy: 0.1%FS or 1 digit ADC Resolution: 4-1/2 digit Sampling Rate: 2 samples/second/channel
Relay Contact	4 relay (up to 6 relay) 3A/250V AC or 5A/30V DC (N.C. / N.O. Jumper selectable)
Analog Output	4~20mA, 0~20mA, 2~10V & 0~10V options
Communication port	RS485 (optional) Modbus Protocol
Operating condition	0~50°C (20 to 90% RH non-condensed)
Storage condition	0~70°C (20 to 90% RH non-condensed)

Example : PB 1471 S01-4101

Power supply, 85-265V AC, Analogue input signal, 4 relay contact, Support Non-Linear Function, without Analogue output, Support RS485 interface.