

17.620 G

Compact OEM Pressure Transmitter Heavy Duty

Applications:

- ▶ mobile hydraulic, presses
- ▶ general mechanical engineering

Characteristics:

- ▶ stainless steel sensor, welded
- ▶ nominal pressure ranges from 0 ... 16 bar up to 0 ... 1000 bar
- ▶ accuracy according to IEC 60770: 0.5 % FSO



Technical Data

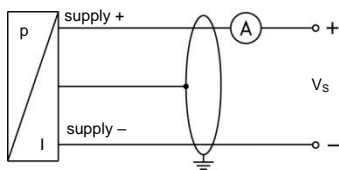
Input pressure range											
Nominal pressure gauge	[bar]	16	25	40	60	100	160	250	400	600	1000 ¹
Overpressure (static)	[bar]	50	50	80	120	200	320	500	800	1200	1500
Burst pressure ≥	[bar]	125	125	200	300	500	800	1250	2000	2000	3000 ²
¹ only for static pressures											
² UL confirmed max. burst pressure 2420 bar											
Output signal / Supply											
2-wire		4 ... 20 mA		V _S = 10 ... 30 V _{DC}							
3-wire ratiometric		10 ... 90% of V _S		V _S = 2.7 ... 5 V _{DC}							
Performance											
Accuracy ³		≤ ± 0.5 % FSO									
Permissible load		2 wire: R _{max} = [(V _S - V _{S min}) / 0.02 A] Ω				3 wire: R _{min} = 10 kΩ					
Influence effects		supply: 0.05 % FSO / 10 V						load: 0.05 % FSO / kΩ			
Response time		typ. 2 msec									
Long term stability		≤ ± 0.2 % FSO / year at reference conditions									
Measuring rate		1 kHz									
³ accuracy according to IEC 60770 – limit point adjustment (non-linearity, hysteresis, repeatability)											
Thermal effects (offset and span) / Permissible temperatures											
Thermal error		≤ ± 0.2 % FSO / 10 K		in compensated range -20 ... 80 °C							
Permissible temperatures		medium:		-40 ... 125 °C							
		electronics / environment:		-40 ... 85 °C							
		storage:		-40 ... 85 °C							
Electrical protection											
Short-circuit protection		2-wire: permanent				3-wire ratiometric: none					
Reverse polarity protection		no damage, but also no function									
Electromagnetic protection		emission and immunity according to EN 61326									
Mechanical stability											
Vibration		20 g, 25 Hz ... 2 kHz				according to DIN EN 60068-2-6					
Shock		500 g / 1 msec				according to DIN EN 60068-2-27					

Materials		
Pressure port	$p_N \leq 600$ bar: stainless steel 316L (1.4404)	$p_N > 600$ bar: stainless steel 17-4 PH (1.4542)
Housing	stainless steel 304 (1.4301)	
Seal of pressure port	G 1/4" DIN 3852: FKM	others on request
Seal of sensor	none (welded)	
Sensor	stainless steel 17-4PH (1.4548)	
Media wetted parts	pressure port, seal, sensor	
Miscellaneous		
Weight	approx. 54 g	
Current consumption	2-wire: max. 25 mA	3-wire ratiometric: typ. 2.5 mA
Operational life	$p_N \leq 600$ bar: 100 million load cycles	$p_N > 600$ bar: 10 million load cycles
CE-conformity	EMC Directive: 2014/30/EU	Pressure Equipment Directive: 2014/68/EU (module A)

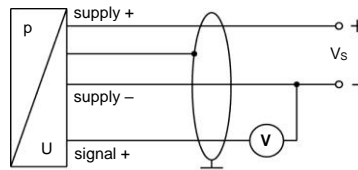
** This directive is only valid for devices with maximum permissible overpressure > 200 bar*

Wiring diagrams

2-wire-system (current)



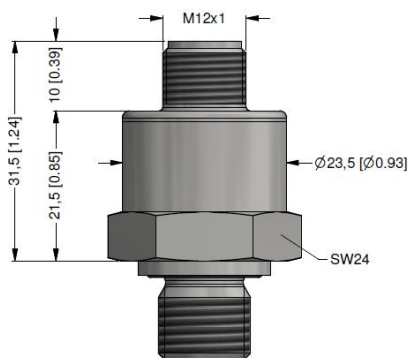
3-wire-system (voltage)



Pin configuration

Electrical connection	male plug M12x1 (4-pin), metal	male plug Micro (contact distance 9.4 mm) on request
	Supply + Supply - Signal + (for 3-wire) Shield	 1 3 2 plug housing

Dimensions (mm / in)



Mechanical connections (mm / in)

