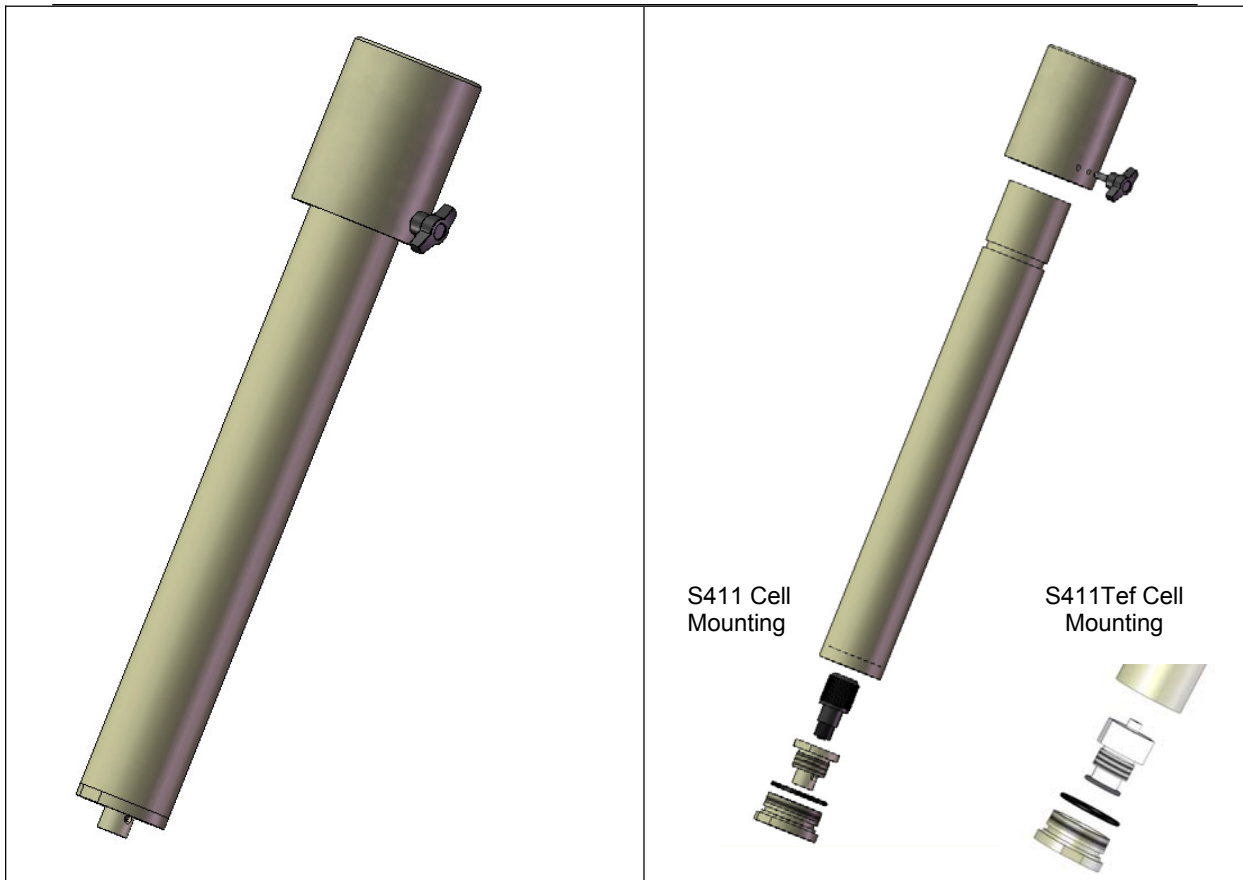




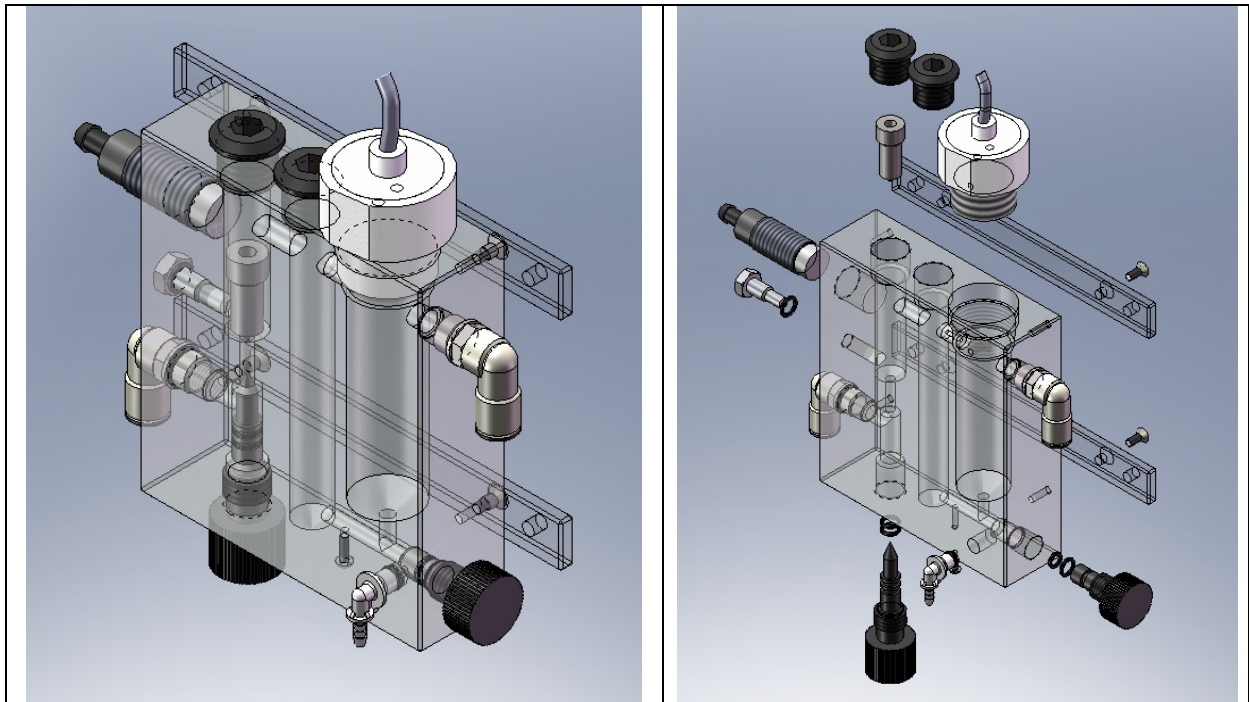
Probe holder for conductivity cell Type S315/C immersion



Technical sheet	Dimensions
<p>Materials:</p> <ul style="list-style-type: none">— Body: Polypropilen (PP)— Fixing screw: nylon— O-Ring: NBR <p>Max operating temperature: 80°C</p> <p>Length available: 50/100/150 (see dimensions) More lengths on request</p>	<p>Ø90</p> <p>1410</p> <p>910</p> <p>410</p> <p>Ø63</p> <p>15</p>
<p><i>Optional on request:</i> Nozzle (Stainless steel) for probe rinsing</p>	



Probe holder for conductivity cell Type S305PX down flow



TECHNICAL DATA

Materials :

- Cell and mounting brackets made of plexiglass
- Taps and fittings made of PVC
- Floating body made of stainless steel
- O-Ring NBR

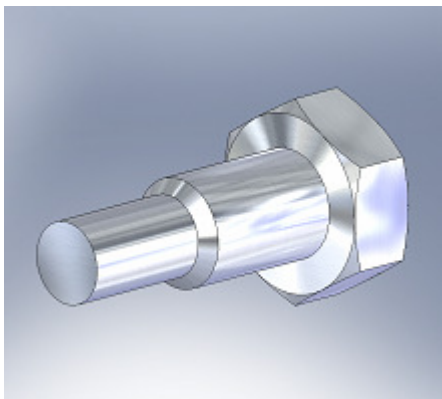
Max working temperature: 60 °C

Max working pressure: 4 bar

Cod. 9500470005

**S 305 OUTFLOWING
PLEXIGLASS CONDUCTIVITY
PROBE-HOLDER**

Temperature sensor (optional)



Cod. 8100470002

DIMENSIONS

