



TUBA 125 C



Fixcab

- LEVEL REGULATOR WITH EXTERNAL BALLAST
For very aggressive liquids and high temperatures

This small tubular float level sensor is equipped with a TEFLON cable and a specially designed PVDF housing for extremely aggressive liquids, such as for example sulfuric acid and very hot liquids reaching temperatures up to 125 ° C.

Allowed fluid density 0,75 à 1,50 g/cm³

Electric characteristics 230 VCA - MAX 60 VA

Cut-out power 6 (4) A

Maximum pressure 2 bars

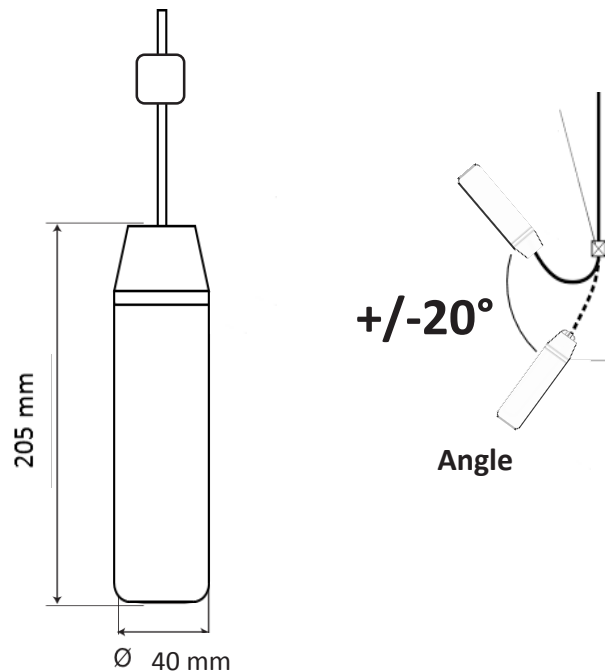
Maximum temperature 125 °C

Protection index IP 68

Housing PVDF

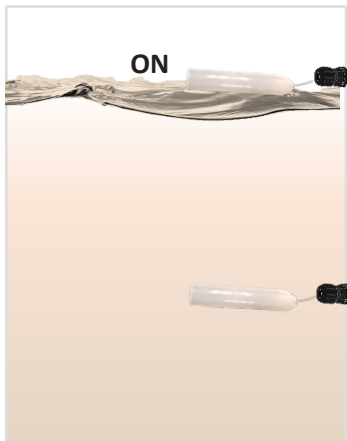
Type of cable PTFE 3 x 0,22 mm²

Float weight without cable 90 g

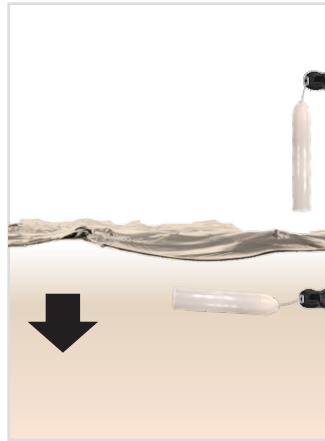


Dimension

EMPTYING



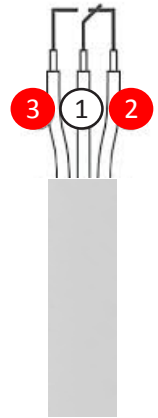
The liquid reaches the float which by tilting gives the signal to the pump to start for emptying



Pumping allows to empty the liquid



The pumping stops as soon as the low regulator returns to the vertical position



Connection

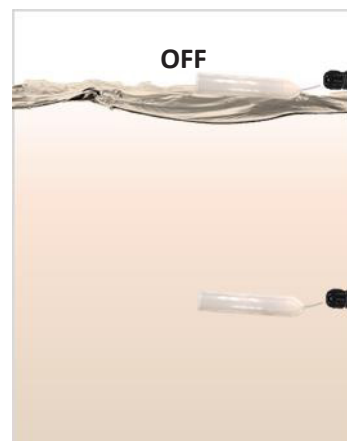
FILLING



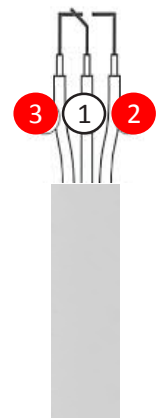
The filling starts as soon as the low regulator returns to the vertical position



The pump is used to fill the tank.



The filling stops as soon as the high level regulator switches



Connection