



SOLIBA EX GP

ATEX II 1 GD Ex ia IIC T6 Ga Ex ta IIIC T70°C Da IP68



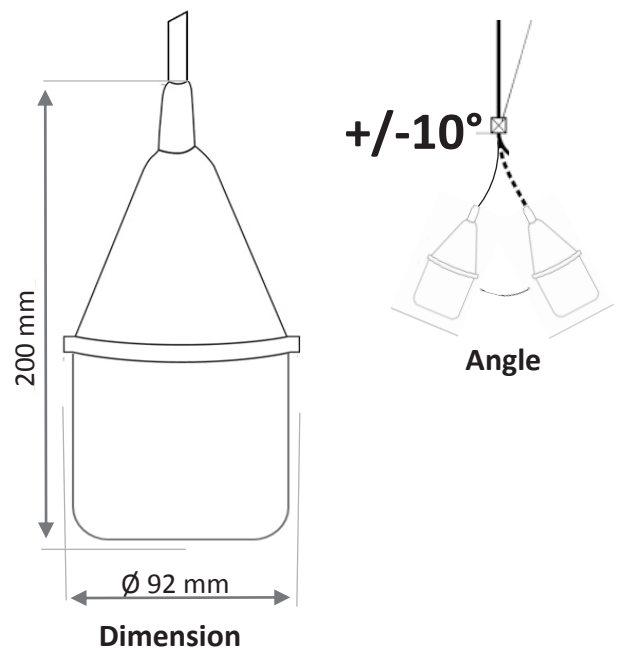
- TILT LEVEL SWITCH ATEX CERTIFIED

For grain silos, cereals, animal feeds

This ATEX certified tilt level switch (ATEX II 1 GD Ex ia IIC T6 Ga Ex ta IIIC T70°C Da IP68) has been designed to provide high level measurement in silos or any other type of storage containers located in hazardous areas 0,1,2 (gas) and 20, 21, 22 (dust).

Its operation is very simple: Vertically suspended at the desired high level point, the SOLIBA EX GP will tilt as the grain reaches the unit.

Operation mode	By tilting
Important specification	For hazardous areas 0,1,2 and 20,21,22
Electric characteristics	24 VCA /VCC 10 mA mini - 12 VCA /VCC 100 mA mini
Cut-out power	10 (4) A
Maximum temperature	T6 : - 20°C - + 70°C
Protection index	IP 68
Housing	Copolymer polypropylene + HR HY
Type of cable	HR HY 3X1 mm ²
Float weight without cable	495 g



FILLING



When the silo fills up, the level sensor is suspended vertically.



When the high level is reached, the level sensor tilts and stops filling the silo



Connection

IMPORTANT! the SOLIBA level sensor must be installed opposite the arrival of the product, and at a certain distance from the wall, in order to ensure an optimal movement.

Manual filling of the silos may cause the sensor to malfunction.

SECURITY RELAY

WARNING ! The power supply of the "GP" version must be made through an intrinsically safe relay. The pulse isolator is an intrinsically safe relay that must be associated with ATEX certified devices (ATmosphères EXplosibles). Its function is to power the ATEX devices at very low voltage to eliminate the risk of explosion.

