

KL 1

Terminal Box

Aluminium



Product characteristics

- ▶ aluminium die cast case
- ▶ for connecting 2-wire submersible transmitters
- ▶ integrated pressure balance item
- ▶ overvoltage protection with nominal discharge current of 10 kA

The terminal box KL 1 is intended for the professional electrical connection of 2-wire transmitters.

It offers integrated atmospheric pressure compensation also overvoltage protection and can be used for BD|SENSORS transmitters.

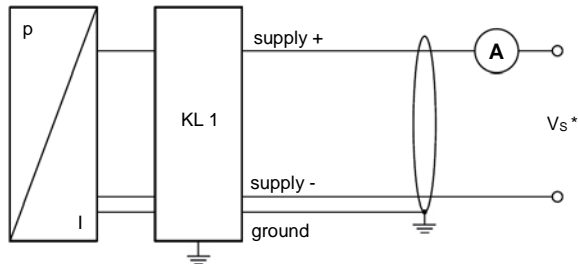
The terminal box KL 1 is equipped with a pressure balance item for equalization of atmospheric reference, therefore a cable without ventilation tube can be used on the supply side.

Vertical terminal clamps enable easy connection of cables inside. The terminal box has to be mounted with two fastening screws.



| General specifications | |
|-----------------------------------|---|
| Number of signal lines | 2-wire: 4 ... 20 mA |
| Housing | aluminium die cast case, grey powder-coating |
| Ingress protection | IP 66 |
| Cable entries | cable gland: M16x1.5 Polyamide, seal NBR, IP 68, diameter range: standard \varnothing 5 ... 10 mm (others on request) |
| Atmospheric pressure compensation | pressure balance item with PTFE filter |
| Terminal clamps | vertical clamps for stranded and solid wires up to 2.5 mm ² |
| Weight | approx. 550 g |
| Overvoltage protection | |
| Series resistance | 10 Ω for each wire |
| Nominal discharge current | 20 kA (8/20 μ s) |
| Max. rated current | 30 mA |

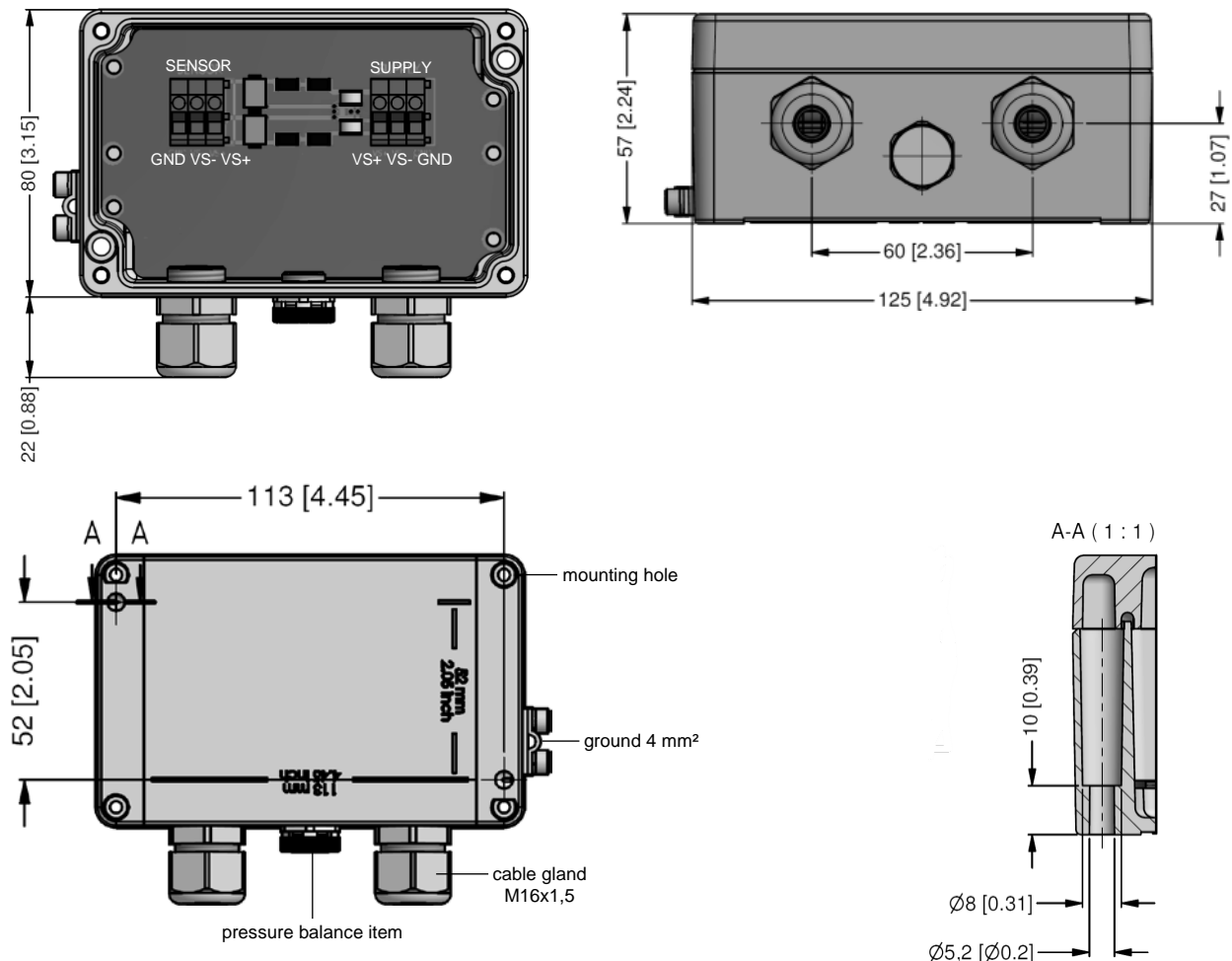
Wiring diagram



The ground wires of all components have to be connected!

* The supply VS has to be chosen according to needs of the used transmitter.

Dimensions (mm / in)



©2019 BD|SENSORS GmbH —The specifications given in this document represent the state of engineering at the time of publishing. We reserve the right to make modifications to the specifications and materials.

Ordering code KL 1

KL 1 - ZB.601 -

| | | |
|--|--|--|
| | | |
|--|--|--|

 -

| | | |
|--|--|--|
| | | |
|--|--|--|

| Version | | | | | | | |
|-----------------|----------|---|---|---|---|---|---------|
| | standard | 1 | 0 | 0 | | | |
| | customer | 9 | 9 | 9 | | | consult |
| Special version | | | | | | | |
| | standard | | | | 0 | 0 | 0 |
| | customer | | | | 9 | 9 | consult |