



BAROLI 02P

Battery Powered Digital Pressure Gauge

Stainless Steel Diaphragm
Flush Welded

class 0.1

Nominal pressure

from 0 ... 100 mbar up to 0 ... 40 bar

Special characteristics

- ▶ rotatable housing
- ▶ 2-line LC display
4.5-digit 7-segment display
6-digit 14-segment additional display
- ▶ hygienic process connections

Functions

- ▶ min / max function with reset function
- ▶ offset and end point calibration
- ▶ setting the pressure unit
- ▶ configuration of switch-off automatic

The battery-powered digital pressure gauge BAROLI 02P with flush welded stainless steel sensor enables a local displaying of values in applications, where high requirements on hygienic process connections and easy cleaning or sterilization are requested. The filling medium is food compatible oil with FDA approval.

The BAROLI 02P display housing is rotatable, thus ensuring an easy reading even under unfavourable mounting conditions.

Additional functions:

switching the unit, displaying min / max values, calibrating the offset and the end point, configuring the automatic switching-off

Preferred areas of use are



Food industry



Pharmacy



Input pressure ranges ¹									
Nominal pressure gauge	[bar]	-1 ... 0	0.10	0.16	0.25	0.40	0.60	1	1.6
Nominal pressure absolute	[bar]	-	-	-	-	0.40	0.60	1	1.6
Overpressure	[bar]	5	0.5	1	1	2	5	5	10
Burst pressure ≥	[bar]	7.5	1.5	1.5	1.5	3	7.5	7.5	15
Nominal pressure gauge / absolute	[bar]	2.5	4	6	10	16	25	40	
Overpressure	[bar]	10	20	40	40	80	80	105	
Burst pressure ≥	[bar]	15	25	50	50	120	120	210	
Vacuum resistance		$p_N \geq 1$ bar: unlimited vacuum resistance $p_N < 1$ bar: on request							
¹ consider the pressure resistance of fitting and clamps									
Performance									
Accuracy ²		nominal pressure ≥ 0.4 bar : ≤ ± 0.125 % BFSL nominal pressure < 0.4 bar: ≤ ± 0.25 % BFSL							
Measuring rate		5/sec							
² accuracy according to IEC 60770 – minimum value setting (non-linearity, hysteresis, repeatability)									
Thermal effects (offset and span)									
Nominal pressure p_N	[bar]	-1 ... 0			< 0.40			≥ 0.40	
Tolerance band	[% FSO]	≤ ± 0.75			≤ ± 1.5			≤ ± 0.75	
in compensated range	[°C]	0 ... 70 °C			0 ... 50 °C			0 ... 70 °C	
Permissible temperatures									
Medium ³		filling fluid of silicone oil:			-40 ... 125 °C				
		filling fluid of food compatible oil:			-10 ... 125 °C				
Environment		-20 ... 70 °C							
Storage		-30 ... 80 °C							
³ max temperature of the medium for nominal pressure gauge > 0 bar: 150 °C for 60 minutes with a max. environmental temperature of 50 °C									
Mechanical stability									
Vibration		5 g RMS (25 ... 2000 Hz)				according to IEC 60068-2-6			
Shock		100 g / 1 msec				according to IEC 60068-2-27			
Materials / Filling fluids									
Housing		stainless steel 1.4404 (316 L)							
Pressure port		stainless steel 1.4435 (316 L)				other on request			
Display housing		PA 6.6, polycarbonate							
Seals (media wetted)		standard: FKM				clamp and dairy pipe: none			
Diaphragm		stainless steel 1.4435 (316 L)							
Media wetted parts		pressure port, seals, diaphragm							
Filling fluids		standard: silicone oil option: food compatible oil with FDA-certificate (mobile SHC Cibus 32; class code: H1; NFS registration no.: 141500) other on request							
Miscellaneous									
EHEDG certificate Type EL Class I		EHEDG conformity is only ensured in combination with an approved seal. This is e.g. for - Clamp (C62): T-ring-seal from Combifit International B.V. - dairy pipe (M73): ASEPTO-STAR k-flex upgrade seal by Kieselmann GmbH							
Display		LC display, visible range 40 x 30 mm; 4.5-digit 7-segment-display, digit height 11 mm, range of indication ±19999; 6-digit 14-segment additional display, digit height 7.5 mm							
Electromagnetic compatibility		emission and immunity according to EN 61326							
Supply		3.6 V Lithium battery; 2 pieces (type 1/2 AA)							
Data storage		EEPROM (non-volatile)							
Ingress protection		IP 65							
Installation position		any (standard: the device is calibrated in a vertical position with the pressure connection down; other than the given position for $p_N \leq 2$ bar have to be declared at ordering)							
Weight		min. 350 g (pendent on the pressure connection)							
AD-converter solution		14 Bit							
Operational life of battery		standby mode: approx. 5 years							
Mech. operational life		100 million load cycles							
CE-conformity		EMV Directive: 2014/30/EU							

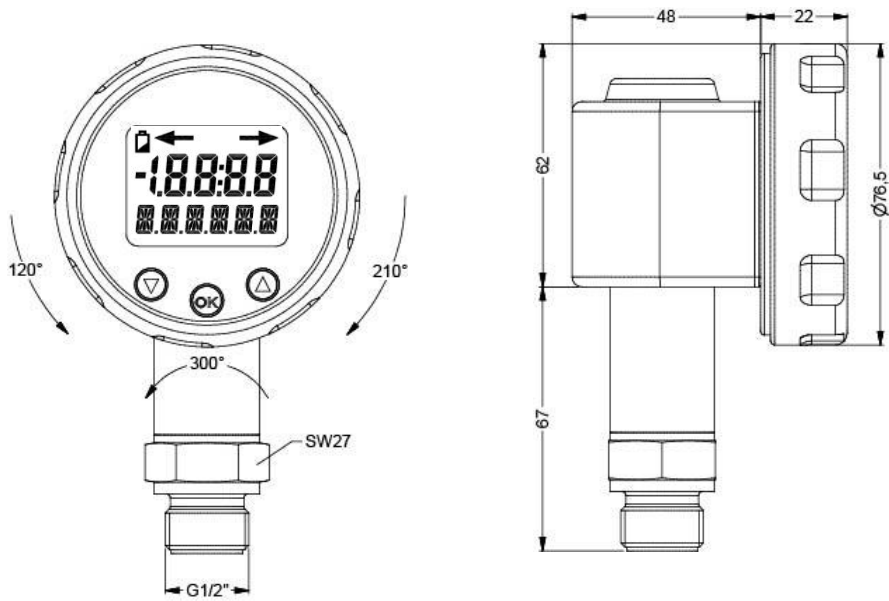
BAROLI 02P

Digital Pressure Gauge

Technical Data

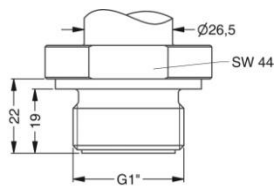
Dimensions (in mm)

standard

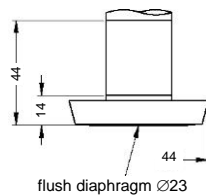


G1/2" flush DIN 3852
 $p_N \geq 1 \text{ bar}$

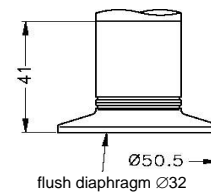
option



G1" flush DIN 3852



dairy pipe DN25 DIN 11851
 $(p_N \geq 0.25 \text{ bar})$



clamp 1 1/2" ISO 2852
 $(p_N \leq 16 \text{ bar})$

© 2021 BD|SENSORS GmbH – The specifications given in this document represent the state of engineering at the time of publishing. We reserve the right to make modifications to the specifications and materials.

Ordering code BAROLI 02P

BAROLI 02P

□□□ - □□□□ - 0 - □□ - 0K0 - □□□ - □ - □ - □ - □□□

Pressure		M	0	G															
	gauge	M	0	G															
	absolute	M	0	H															
Input																			
	[bar]																		
	0.10	1			1	0	0	0											
	0.16	1			1	6	0	0											
	0.25	1			2	5	0	0											
	0.40				4	0	0	0											
	0.60				6	0	0	0											
	1.0				1	0	0	1											
	1.6				1	6	0	1											
	2.5				2	5	0	1											
	4.0				4	0	0	1											
	6.0				6	0	0	1											
	10				1	0	0	2											
	16				1	6	0	2											
	25				2	5	0	2											
	40				4	0	0	2											
	-1 ... 0				X	1	0	2											
	customer				9	9	9	9											
Accuracy																			
	[BFSL]																		
	standard for $P_N \geq 0.4$ bar								B	2									
	standard for $P_N < 0.4$ bar								B	5									
	customer								9	9									
Mechanical connection																			
	G1/2" DIN 3852 with flush diaphragm								Z	0	0								
	G1" DIN 3852 with flush diaphragm								Z	3	1								
	Clamp 1 1/2"								C	6	2								
	Dairy pipe DN 25 (DIN 11851)								M	7	3								
	customer								9	9	9								
Seals																			
	for clamp or dairy pipe:																		
	without									0									
	FKM									1									
	customer									9									
Diaphragm																			
	Stainless steel 1.4435 (316L)									1									
	customer									9									
Front foil																			
	standard										1								
	neutral										N								
	customer										9								
Filling fluids																			
	Silicone oil											1							
	food compatible oil											2							
	customer											9							
Special version																			
	standard												0	0	0				
	customer												9	9	9				

¹ absolute pressure possible from 0.4 bar
² possible only for $P_N \geq 1$ bar
³ possible only for $P_N \leq 16$ bar
⁴ possible only for $P_N \geq 0.25$ bar; cup nut for dairy pipe included and pre-assembled

© 2019 BDSENSORS GmbH - The specifications given in this document represent the state of engineering at the time of publishing. We reserve the right to make modifications to the specifications and materials.